

GOT filter

Pocket filtering for oily fumes



Filter designers for processes that generate fumes with oily micro drops

The GOT filter is used to eliminate oily fumes deriving from rectification, turning, milling and the removal of shavings in general.

It is also suitable for various kinds of fumes, where the dimension of the micro drops is not excessively small.

Filtration stage 1: Decanting and oil collection tank

Filtration stage 2: Drift eliminator. Eliminate larger particles of fumes and the liquid part deposits in the tank below

Filtration stage 3: Metal sheath pre-filter to block any solid particles

Filtration stage 4: Final pocket filters in glass micro fibre fabric with galvanised steel frame

Features:

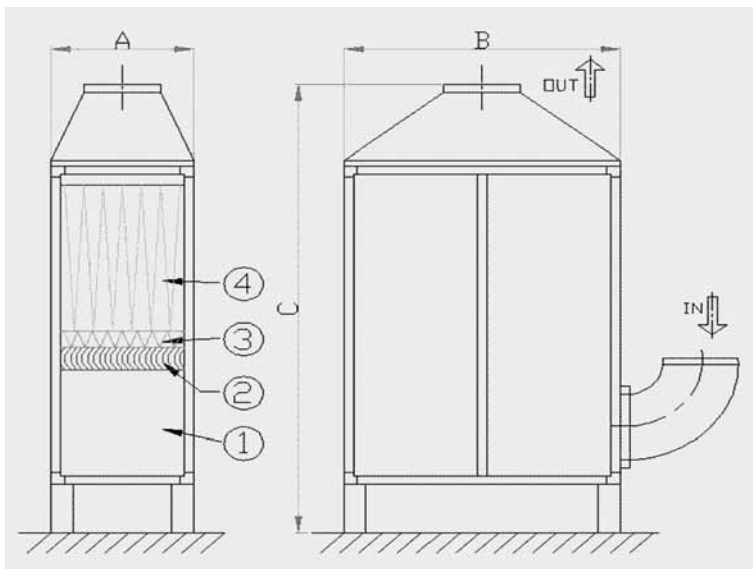
- Galvanised metal structure
- Oil collection tank
- Drift eliminator
- Class G2 metallic sheath pre-filter compliant with EN 779
- Class F9 final pocket filter, compliant with EN 779, Fire resistance 2 (U.L.)

Optionals

- Differential pressure switch to monitor the blockage of the filters

Technical specifications

MODEL	A (mm)	B (mm)	C (mm)	n2	n3	n4	Total surface (m2)	Max T (°C)
1GOT	745	745	2800	1	1	1	11,4	90
2GOT	745	1440	2800	2	2	2	22,8	90
4GOT	1440	1440	2800	4	4	4	45,6	90
6GOT	1135	1440	2800	6	6	6	68,4	90



1. Oil collection tank
2. Drift eliminator
3. Class G2 metallic sheath pre-filter compliant with EN 779
4. Class F9 final pocket filter EN 779

GRT DARMA Srl

Offices

via Tofane, 98 - 10141 Torino - Italy
Tel. +39 011-701222 - Fax +39 011-19790330
info@grtdarma.com - www.grtdarma.com

Plant

via Monginevro, 2/A
10092 Beinasco (TO)
Italy



GRT DARMA site