

GMP-15-25 filter

Sleeve filtering with pneumatic cleaning



Filter with automatic cleaning to prolong the suction action

The GMP filter is used to eliminate dust of granulometry and concentration that do not allow cleaning by shaking.

The dust is dropped into a container on a trolley or eliminated with a star valve. The sleeve cleaning system is automatic and uses compressed air jets in counter-current with an electronic control unit to vary the frequency of the cleaning jets depending on the effective degree of blockage of the sleeves, allowing savings on air and increasing the life of the sleeves.

Models 60GMP to 96GMP are equipped with two unloading hoppers with two containers or two star valves.

Features:

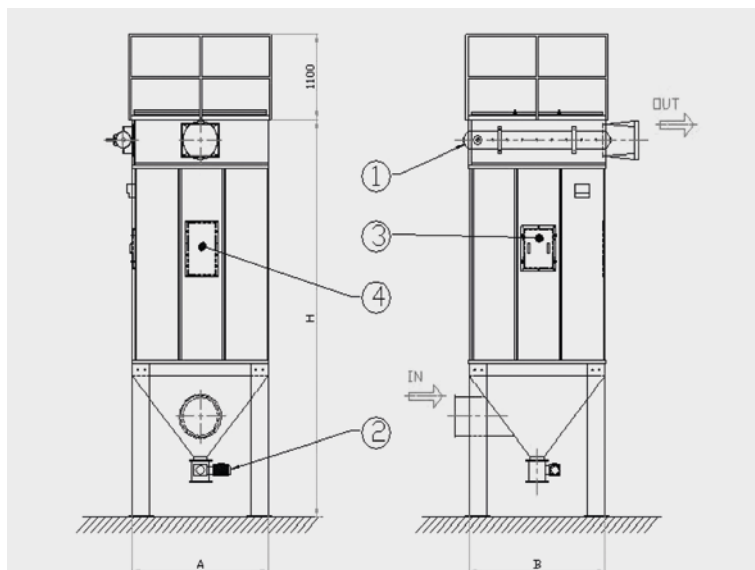
- Galvanised metal structure
- Lung with built-in solenoid valves
- Railings on the roof
- Anti-explosion panels
- Inspection hatch
- Collection container on trolley (one container or two)
- Polyester sleeves 500 g/m²

Optionals

- Sleeves for high temperature
 - Sleeves of different grammage
- Star valve for eliminating dust continually
 - Fire-prevention system
 - Access ladder to roof

Technical specifications

MODEL	A (mm)	B (mm)	H (mm)	Sleeves (n) D=150 mm H=2300 mm	Total surface (m ²)	Anti-explosion panels (n)	Hoppers (n)	Air consumption at 6 bar (lt/1)
16GMP-15-25	1240	1140	4750	16	18	1	1	101
24GMP-15-25	1240	1670	4750	24	28	1	1	101
32GMP-15-25	1240	2200	4750	32	37	1	1	101
40GMP-15-25	1240	2730	5600	40	47	1	1	101
48GMP-15-25	1770	2200	5250	48	56	1	1	242
60GMP-15-25	1770	2730	5600	60	70	2	1	242
72GMP-15-25	1770	3260	5250	72	84	2	2	242
64GMP-15-25	2300	2200	5250	64	75	2	1	242
80GMP-15-25	2300	2730	5600	80	94	2	1	242
90GMP-15-25	2300	3260	5600	96	113	2	2	242
108GMP-15-25	2300	3790	5600	108	127	3	2	242



1. Lung with built-in solenoid valves
2. Star valve for eliminating dust continually
3. Inspection hatch
4. Anti-explosion panels

GRT DARMA Srl

Offices

via Tofane, 98 - 10141 Torino - Italy
Tel. +39 011-701222 - Fax +39 011-19790330
info@grtdarma.com - www.grtdarma.com

Plant

via Monginevro, 2/A
10092 Beinasco (TO)
Italy



GRT DARMA site