

GBM arms

External pantograph arm



External pantograph arms with balancing springs and frictions on joints

The GBM arms are equipped with pantographs on the part that is fastened to the shelf and are characterised by good strength and a good capacity to maintain the position.

The 2GBM series is equipped with a pair of pantographs while the 4GBM series uses two pairs of pantographs which make it more suitable in the case of heavy use.

Features:

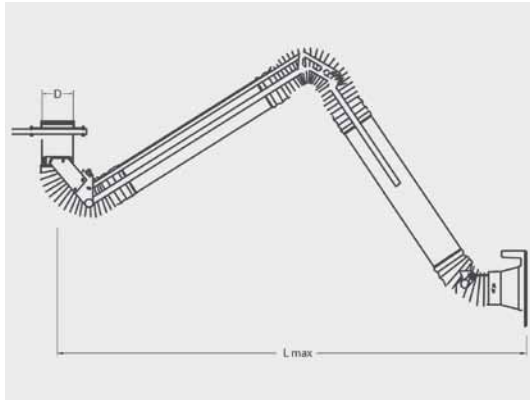
- Galvanised metal suction pipes
- PVC joints (flexipipe)
- Max. admissible temperature 70° C
- Max. admissible depression 1600 Pa
- Closure valve and cap

Optionals

- Wall fastening bracket
- Floor fastening stand
- Made of polypropylene
- Made of stainless steel
- Made to ATEX standards
- Version for use with trolley
- Self-supporting extensions with wall-mounted centre plate

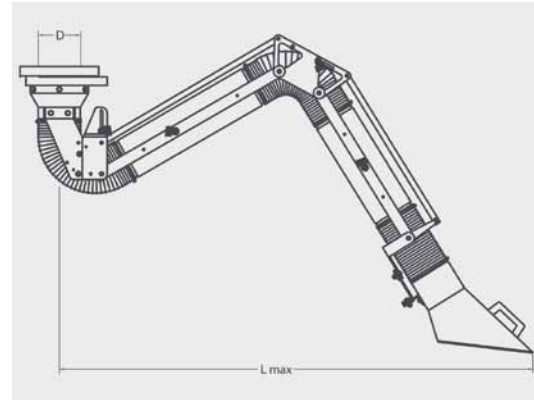
Technical specifications

2GBM arm	D (mm)	L (mm)
2GBM-216	160	2000
2GBM-316	160	3000
2GBM-416	160	4000



2GBM - Double pantograph

4GBM arm	D (mm)	L (mm)
4GBM-216	160	2000
4GBM-316	160	3000
4GBM-416	160	4000
4GBM-220	200	2000
4GBM-320	200	3000
4GBM-420	200	4000



4GBM - Quadruple pantograph

Extensions	D (mm)	L (mm)
GBMP-2	200	2000
GBMP-3	200	3000
GBMP-4	200	4000

GRT DARMA Srl

Offices

via Tofane, 98 - 10141 Torino - Italy
Tel. +39 011-701222 - Fax +39 011-19790330
info@grtdarma.com - www.grtdarma.com

Plant

via Monginevro, 2/A
10092 Beinasco (TO)
Italy



GRT DARMA site